

## Installation Notes:

### General description

This SD audio door entry system is ideally suited to installations for single family properties or small offices.

### Cabling & Power

The system gets power from the mains fed via the telephone handset. A 12V DC plug in power supply is provided with the kit. You may install this plug in power supply at a convenient location and extend its cable up to 20 metres.

### External panel

This should be sited out of direct sunlight and not in exposed locations to avoid direct rain through the speaker grill.

### Telephone handset

The telephone handset SD720AR7 should be mounted at a height of approx. 1500mm above the floor level.

The handset has the built in facility for intercom between the phones as well as communication with the door panel.

There are 2 buttons on the telephone handset

### Call

The call button will ring all telephone handsets on the system. If answered the telephone handsets allow intercommunication without being over heard at the door panel.

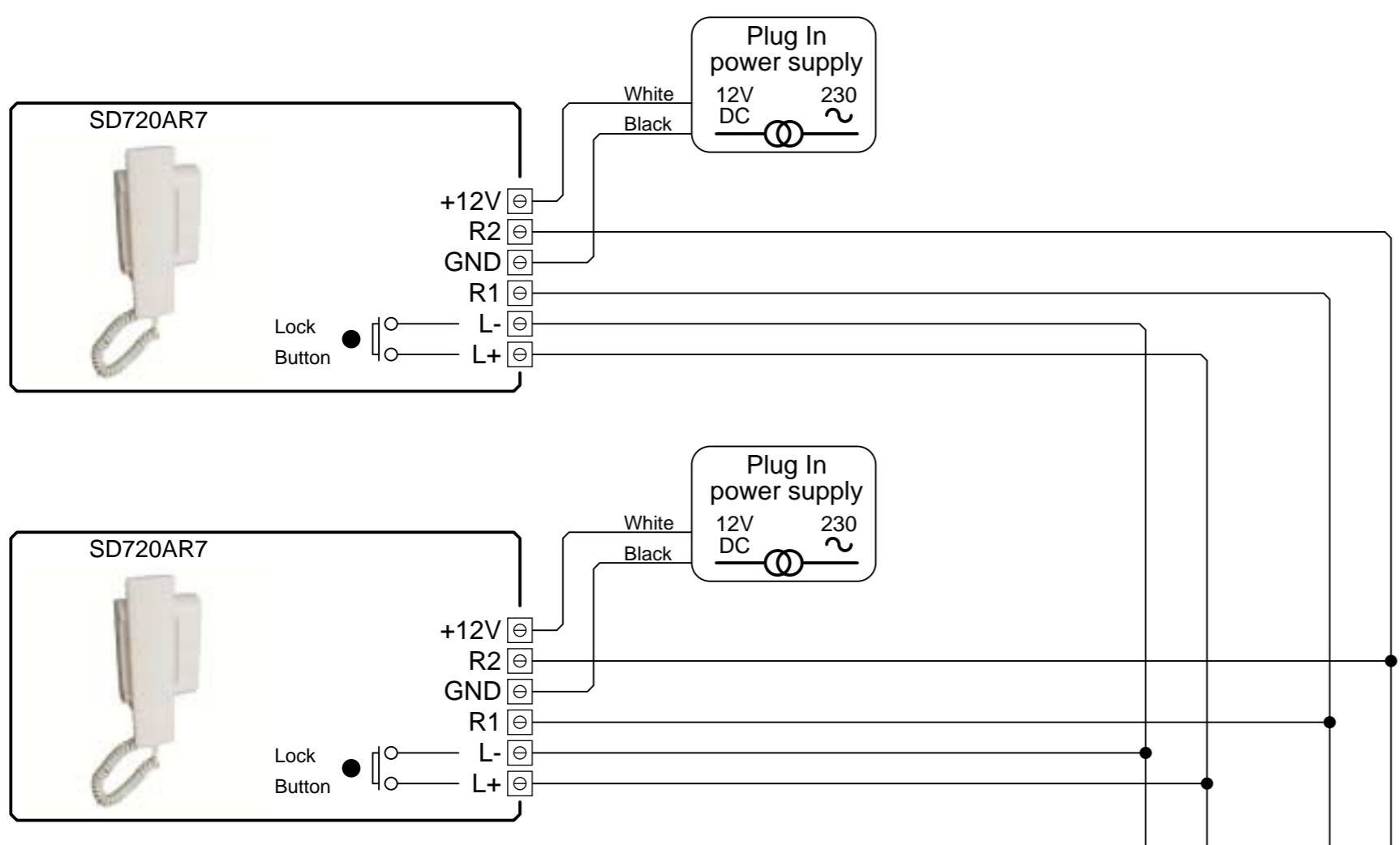
### Lock

Pressing the lock release button closes the switch L1 - L2. This voltage free switch can be directly connected to access control (egress input), however it is normally connected for electric lock release by following the diagram below.

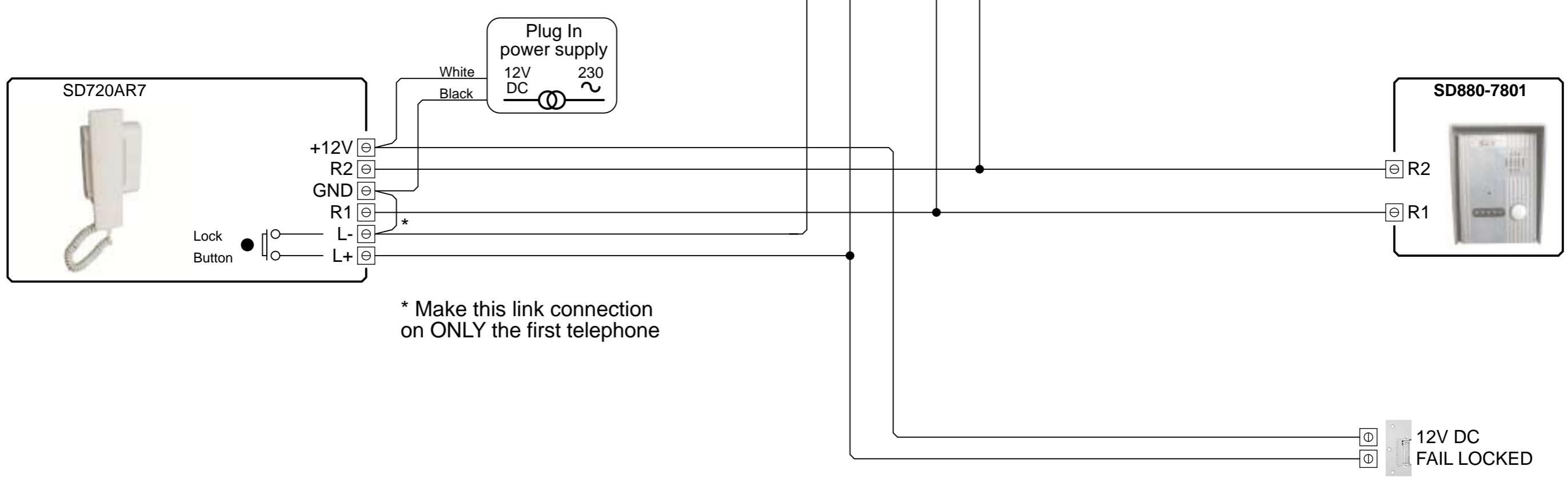
### Trouble shooting

- Check 12V DC from the power supply
- Check the wiring connections to the door station
- Check handset is connected correctly to the base unit

## Optional additional telephones



## Contents of kit



| CABLE REQUIREMENTS      |           |
|-------------------------|-----------|
| cable distance (metres) |           |
| 1 ~ 100                 | 4 x 0.5mm |

### Alternative Connection - Interface to Access Control

